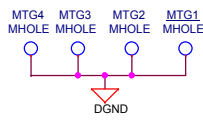


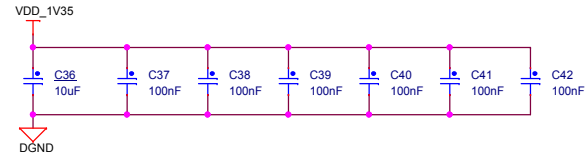
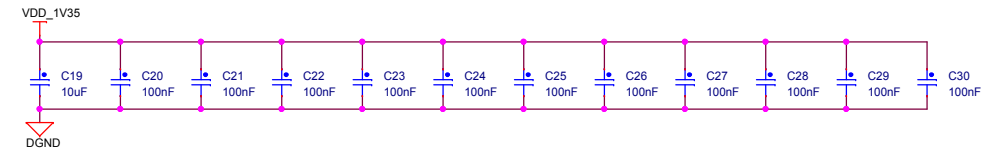
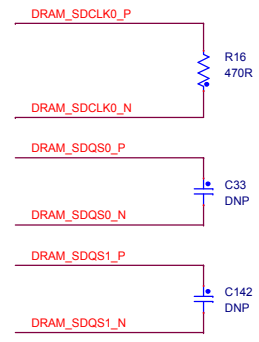
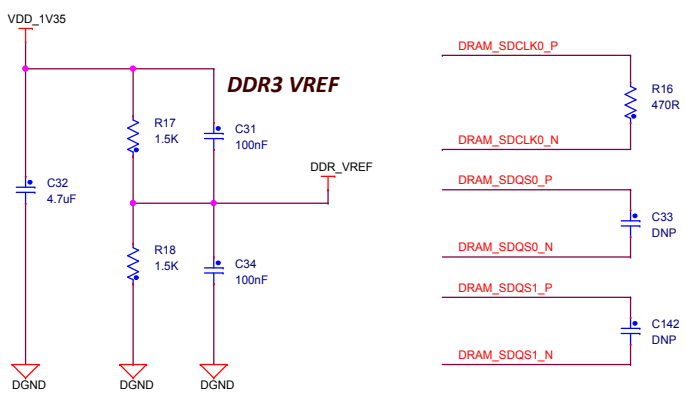
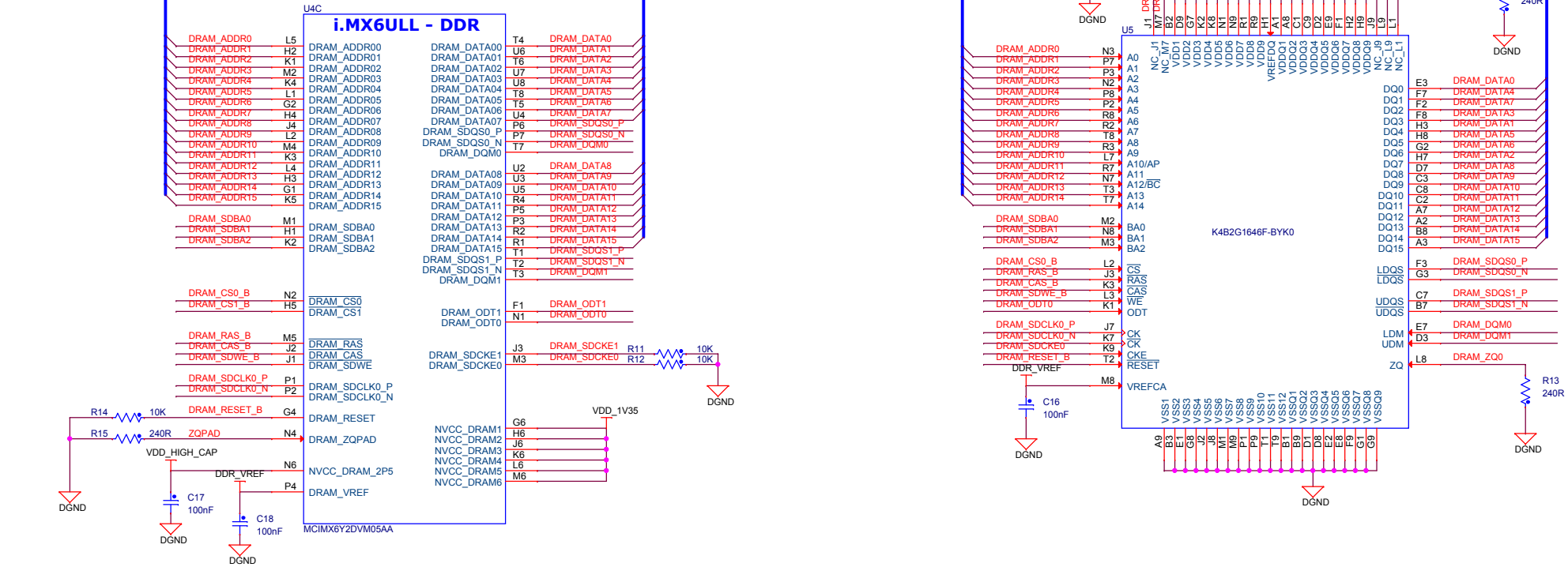
**Power supply**



# DDR3/LvDDR3

DRAM\_DATA[0:15]

DRAM\_ADDR[0:15]

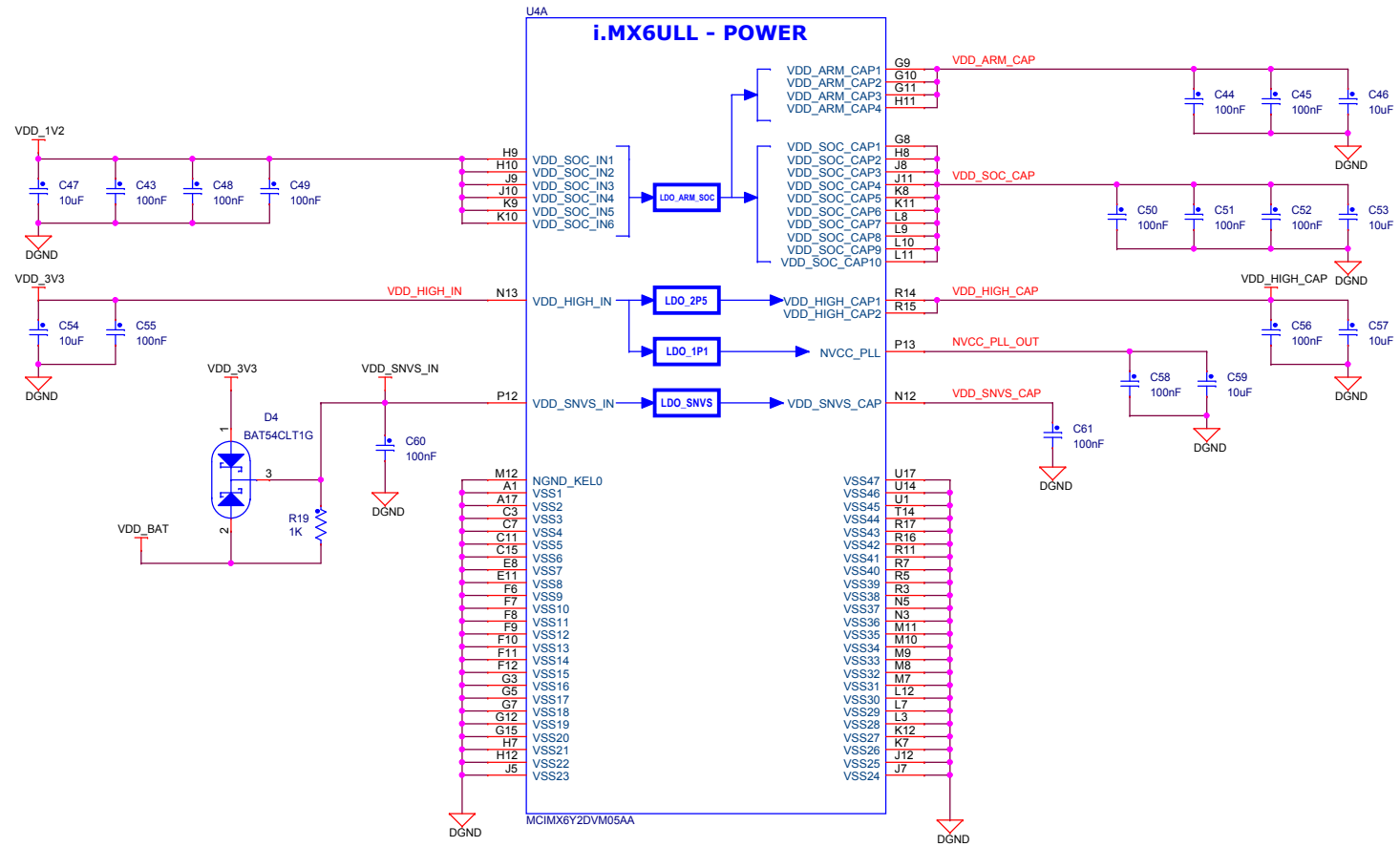


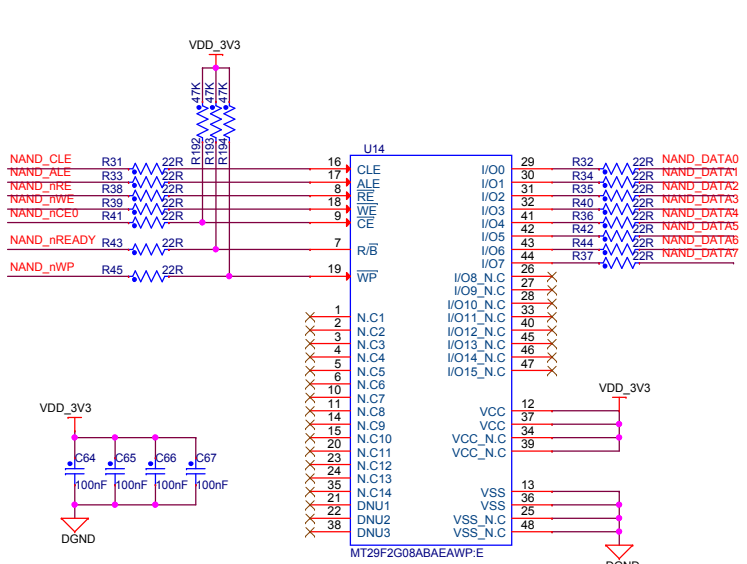
**MYIR** <http://www.myir-tech.com>

Title: MYS-6ULX-IOT

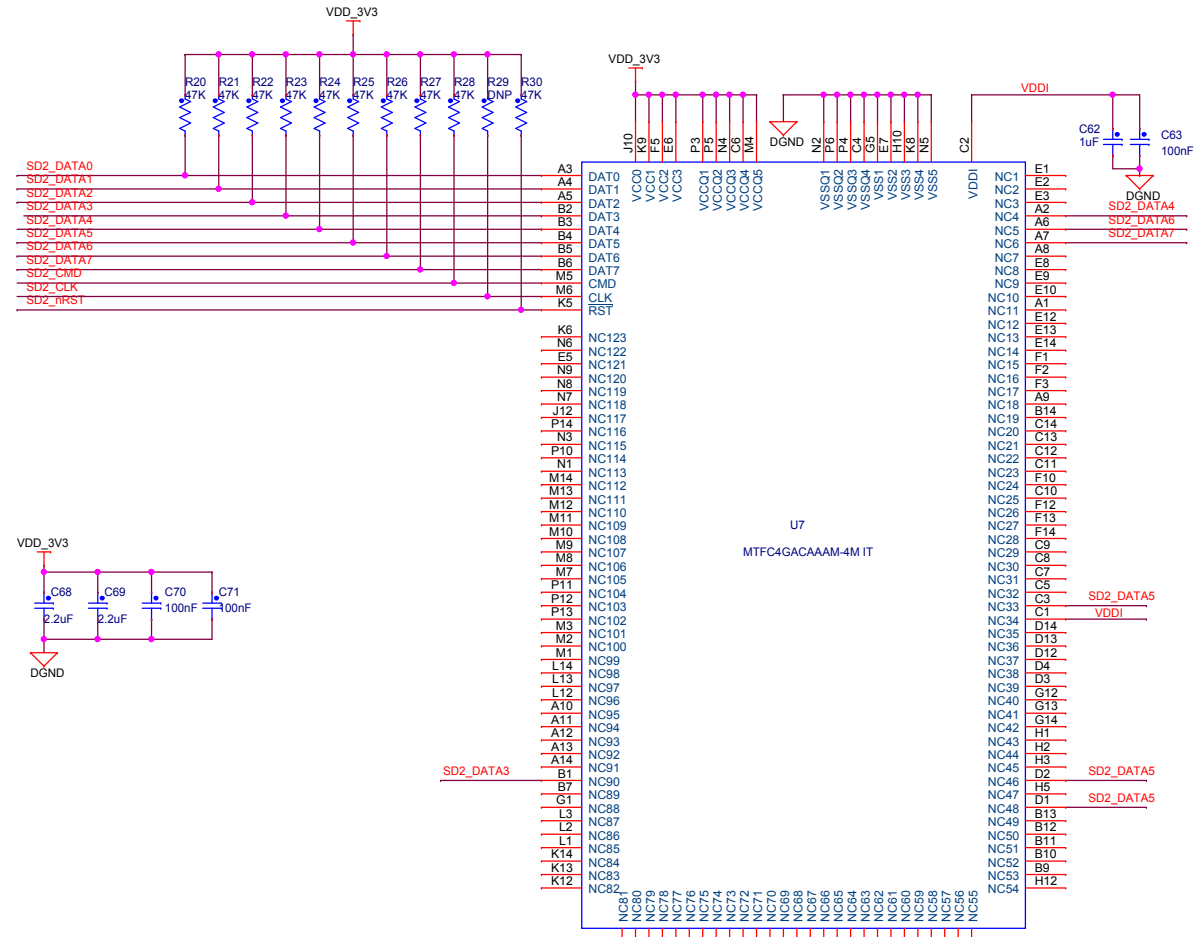
Size: A3	Document Number: IMXGUL-DDR3	Rev: V1.0
Draw By: MYIR	Date: Wednesday, May 03, 2017	Sheet: 3 of 12

# i.MX6ULL PWR

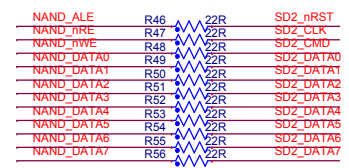
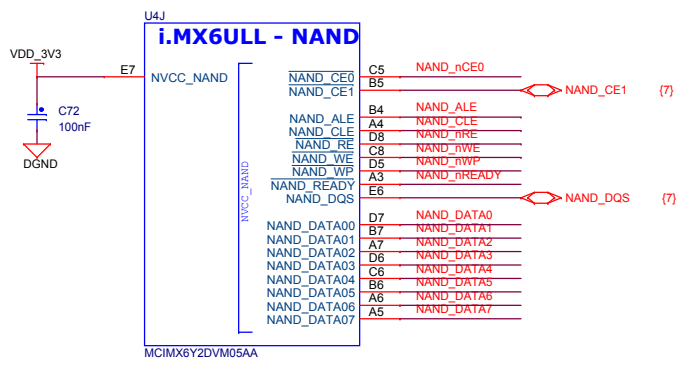




**Nand Flash**



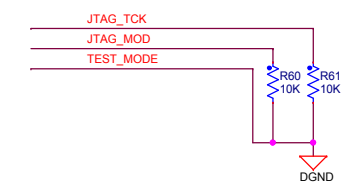
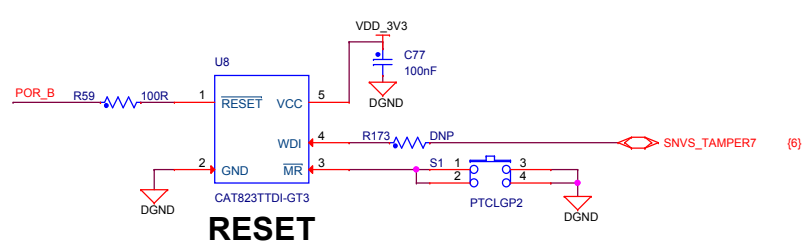
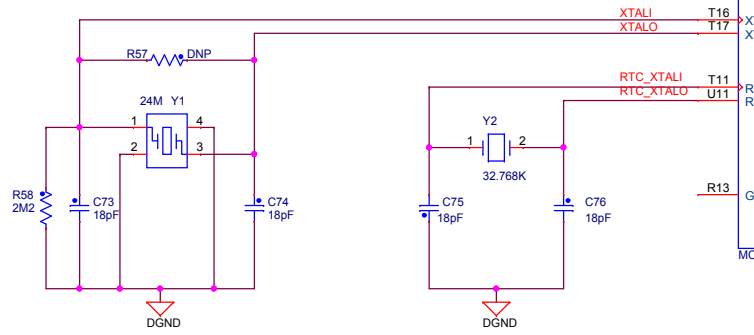
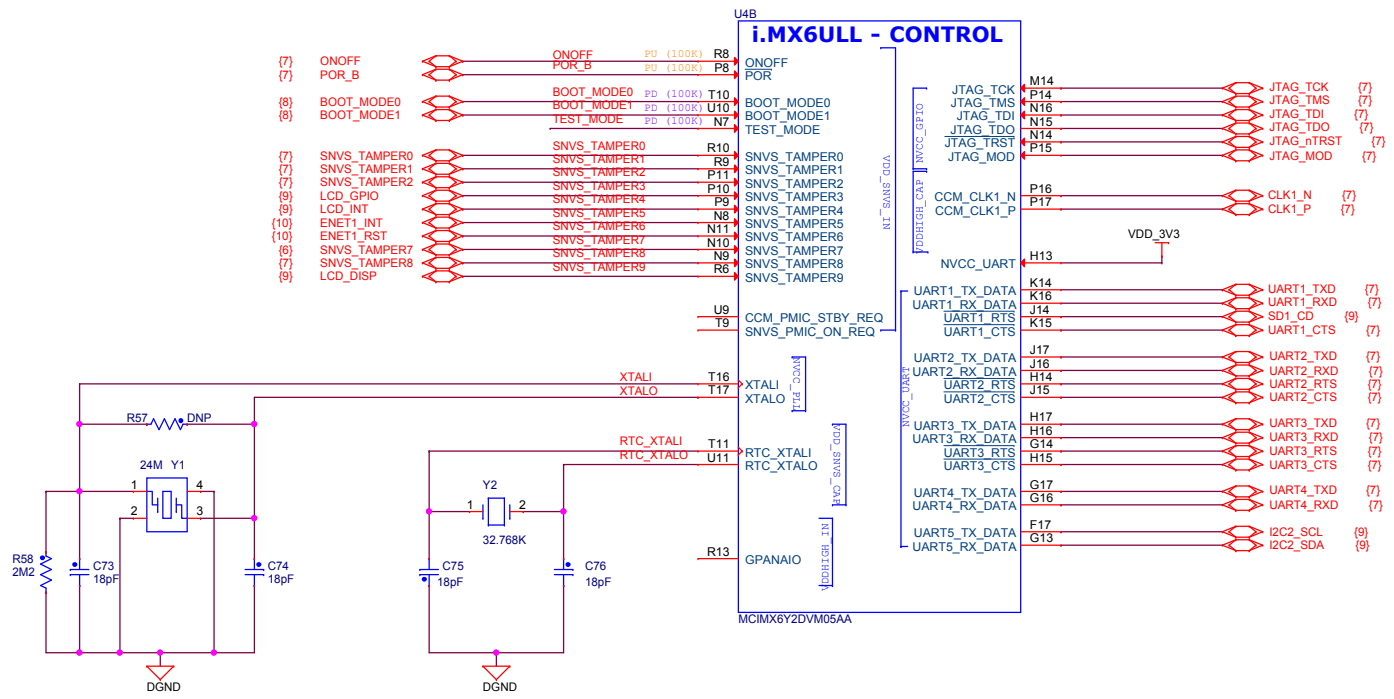
**eMMC**

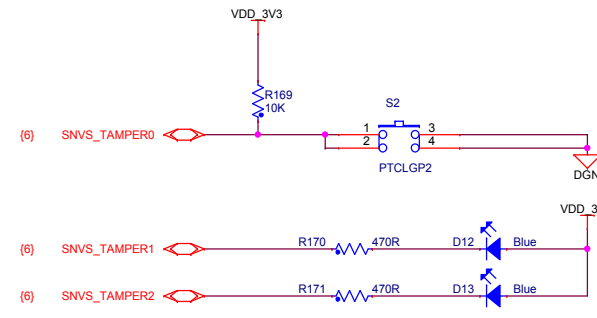
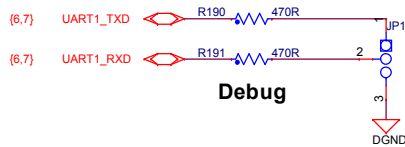
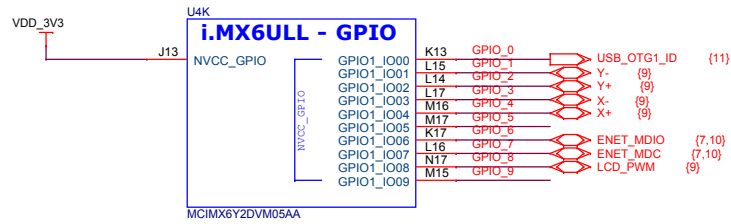
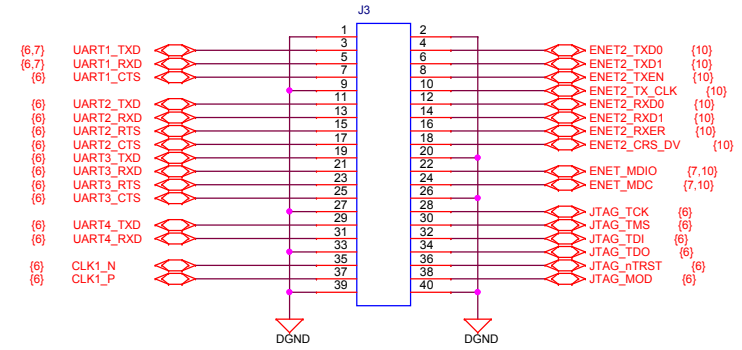
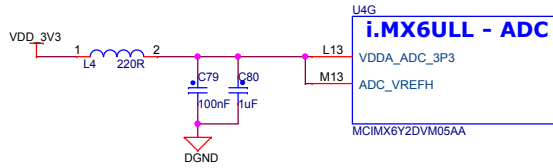
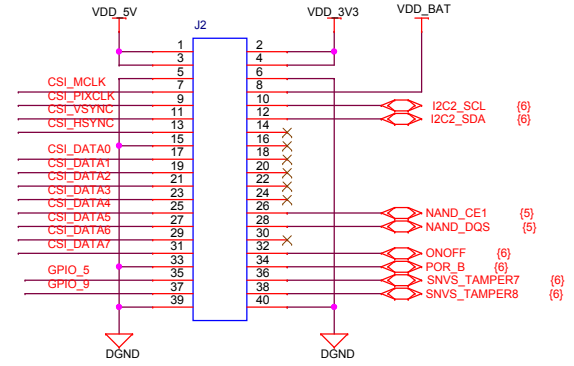
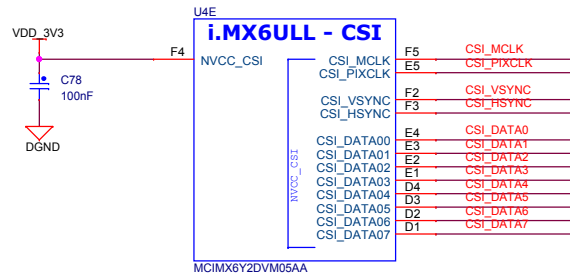


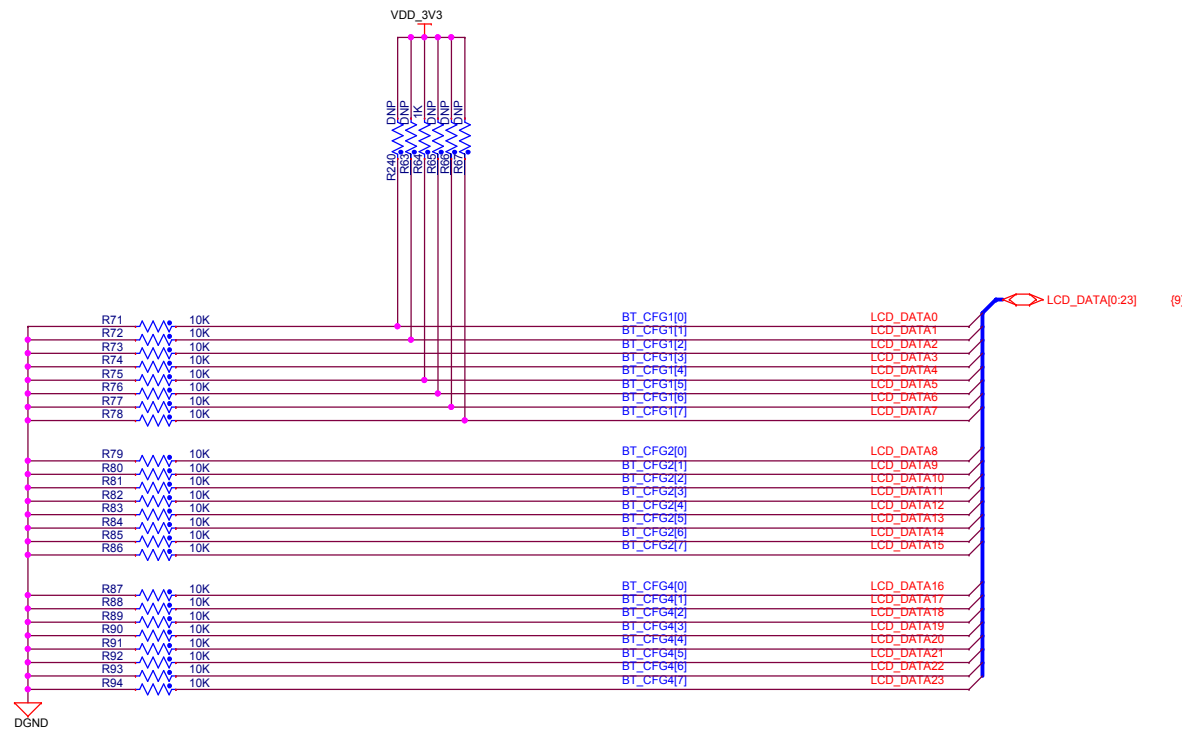
<http://www.myir-tech.com>

Title: **MYS-6ULX-IOT**

Size: A3	Document Number: IMX6UL-Flash	Rev: V1.0
Draw By: MYIR	Date: Wednesday, May 03, 2017	Sheet: 5 of 12





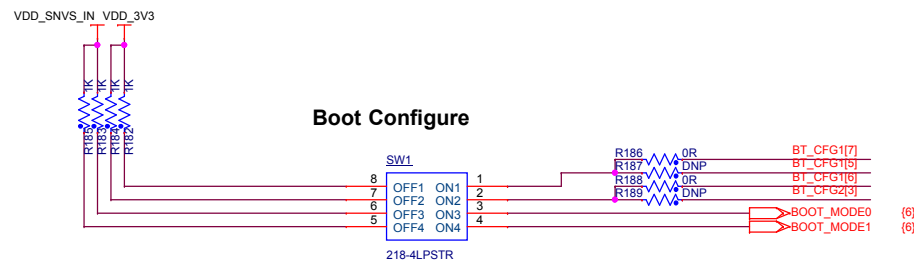


emmc: Mount R187,R189,R66 Move R186,R188

SWITCH	Bit 1	Bit 2
eMMC	H	H
SD Card	L	L

Nand: Mount R186,R188 Move R187,R189,R66

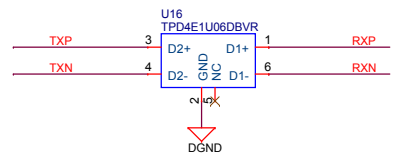
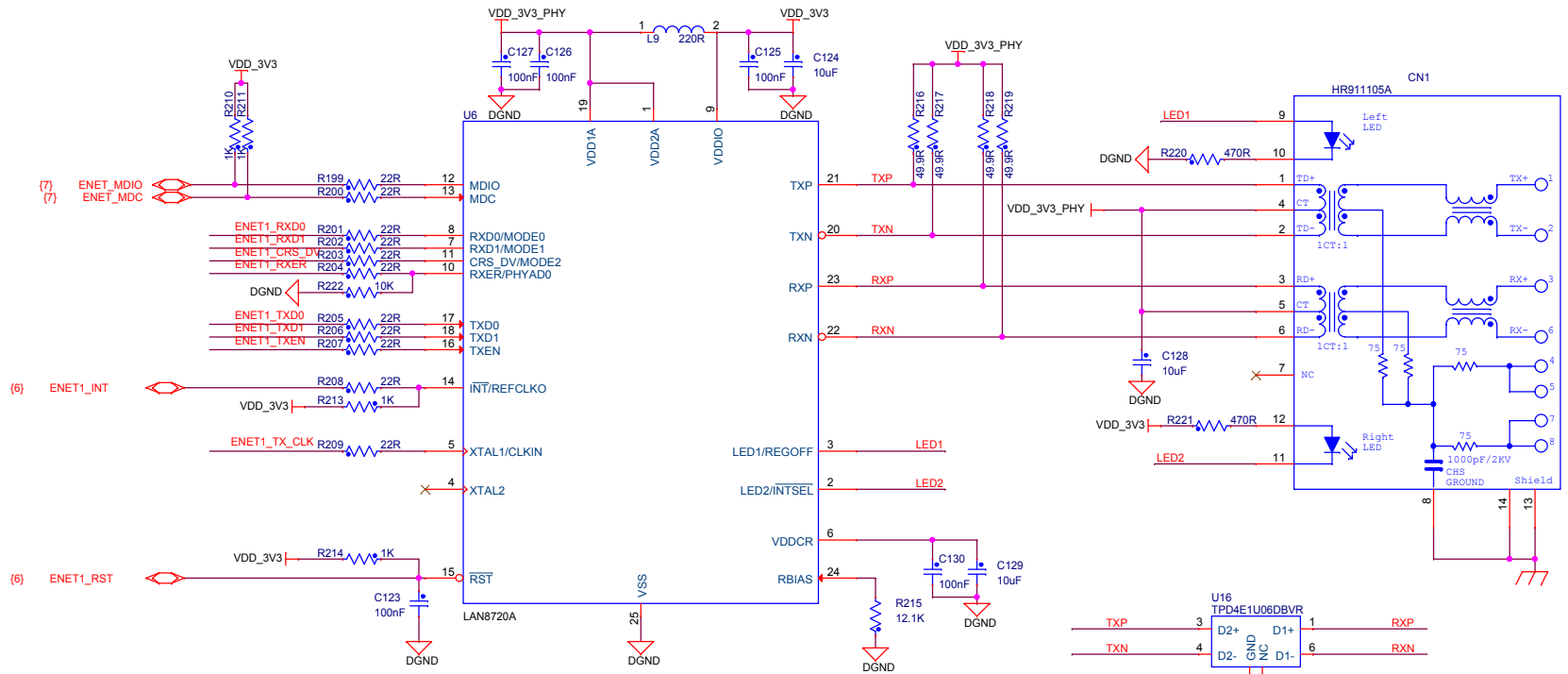
Switch	Bit 1	Bit 2
SD Card	L	H
NAND	H	L



Switch		Boot Type
Bit 4	Bit 3	
0	0	Boot From Fuses
0	1	Serial Downloader
1	0	Internal Boot
1	1	Reserved







		<a href="http://www.myir-tech.com">http://www.myir-tech.com</a>	
		Title: MYS-6ULX-IOT	
Size: A3	Document Number: ETHERNET	Rev: V1.0	
Draw By: MYIR	Date: Wednesday, May 03, 2017	Sheet: 10 of 12	

